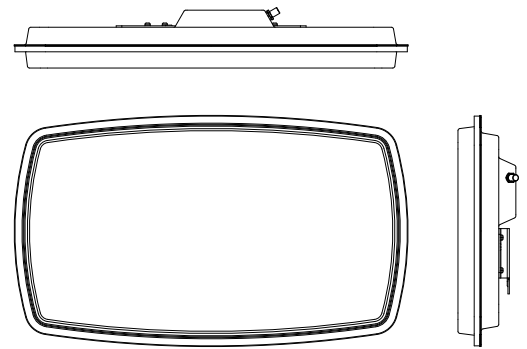


SELSAT-H35D SERIES

Dual Polarization Flat satellite Antenna

Flat **SELSAT**™ Satellite Antenna

- Flat design
- Works on Ku-band satellite
- Dual Linear Polarization (Vertical & Horizontal)
- Installation brackets included (adapted by special bracket to adjust skew angle)



Specification

Model	SELSAT-H35D / SELFSAT-H35D2 / SELFSAT-H35D4
Input Satellite Frequency	10.7~12.75GHz
Polarization	Vertical & Horizontal
Antenna Gain	33.7 dBi @ 12.7 GHz
Size(WxDxH)	558x328x58mm
Weight	4.7kg
Current Consumption	150mA (max)
Operating Temperature	-30°C to +60°C
Storage Temperature	-40°C to +80°C
LNB output	1 output / 2 output / 4 output
Changeover Low / High	0KHz / 22KHz
LNB Output Frequency	950~1,950MHz / 1,100~2,150MHz
L.O. Frequency	9.75GHz / 10.6GHz
Conversion Gain	60 dB Typical
Gain flatness	6dB p-p (max)
Power supply	12~14V DC (Vertical) / 16~19V DC (Horizontal)



Easy to install



I DO IT Co., Ltd.

#637, Smart-Hub Industry-University Convergence Center, 237 Sangidaehak-ro, Siheung-si, Gyeonggi-do, Korea
Tel : +82 (0)31 8041 1500 Fax : +82 (0)31 8041 1550 E-mail : sales@selfsat.com

I DO IT France

6-8 Rue de la Closerie ZAC Du Clos Aux Pois 91090 LISSES Cedex FRANCE
Tel : +33 (0)1 64 97 52 28 Fax : +33 (0)1 64 97 52 35 E-mail : sales@i-do-it.fr